

CATALOGUE

MINI POWER PACKS

TAON Hydraulic will always help you find the best solution



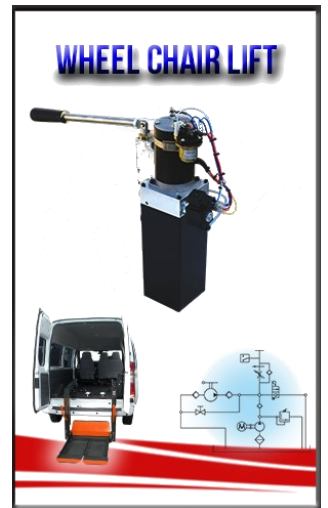
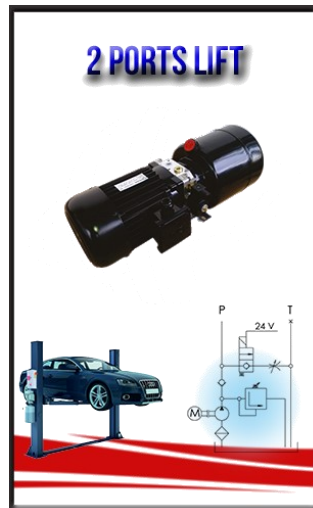
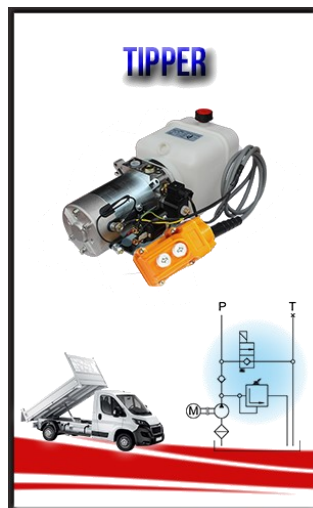
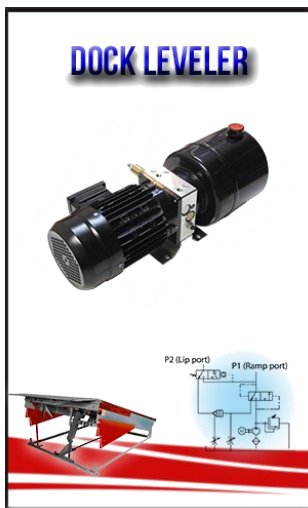
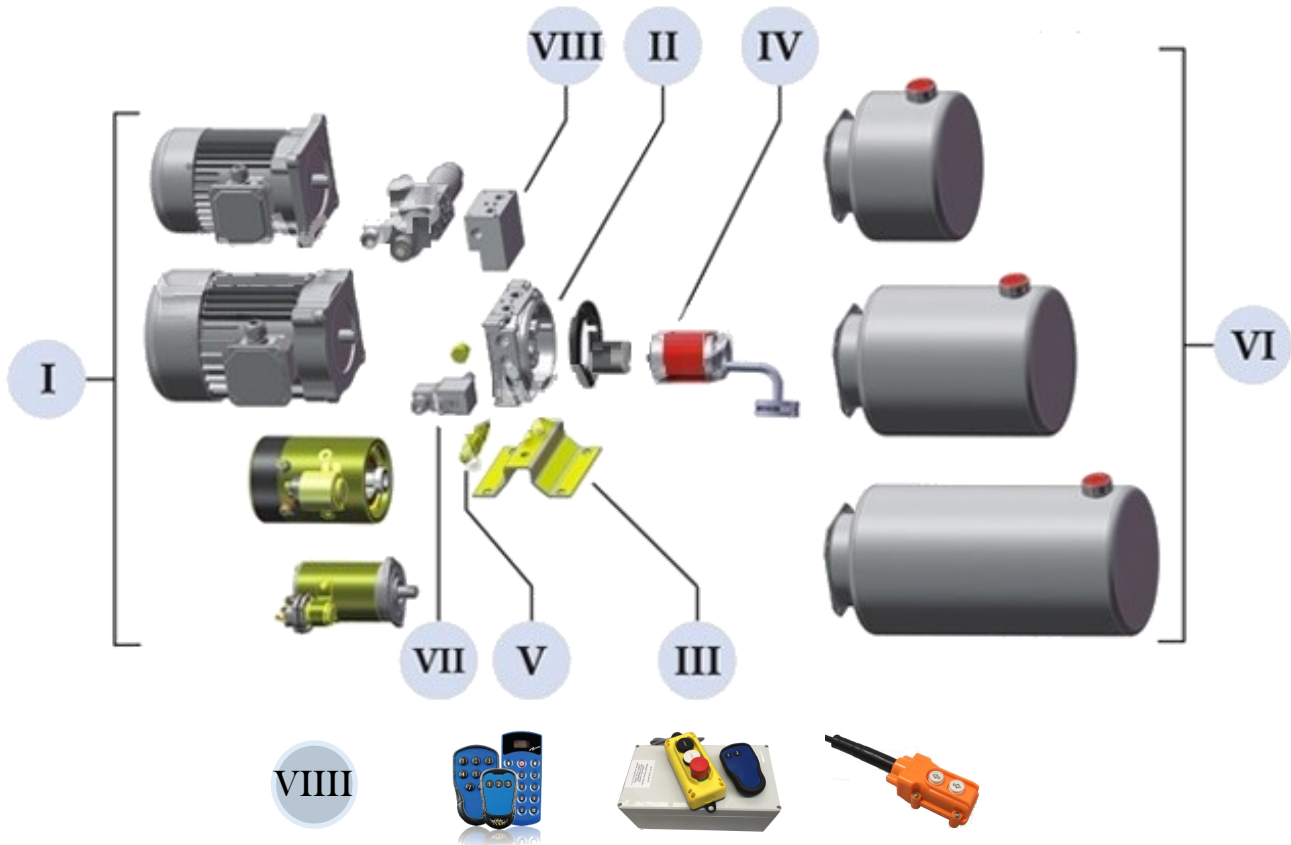
Made in Denmark/Turkey

TAON ApS ★ Tlf.: +45 24488480 ★ E-mail: info@taon.dk ★ www.taon.dk

TAON

Hydraulik Komponenter

- I**
 Motor
- II**
 Hydraulic
 Circuit
- III**
 Support
- IV**
 Pump
- V**
 Pressure
 Settings
- VI**
 Reservoir
 Tank
- VII**
 Flow Control
- VIII**
 Sub Circuit of
 Solenoid Valve/
- VIII**
 Remote
 Control



1

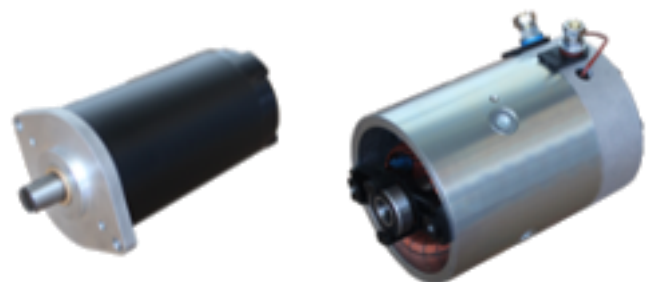
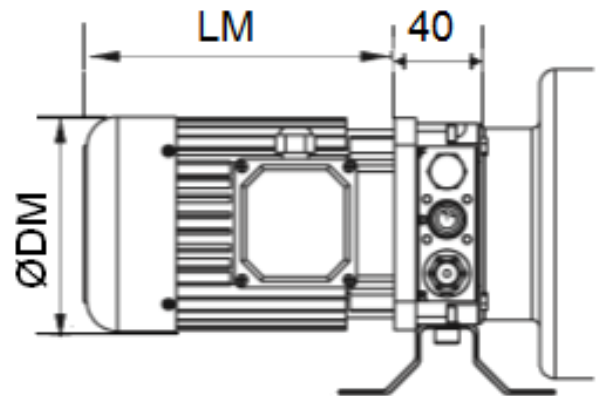
Select Motor - AC Motor

Phase	Power (kW)	Voltage (V)	LM	ØDM
3	0,37	220/380	220	140
3	0,55	220/380	240	155
3	0,75	220/380	247	155
3	1,1	220/380	265	175
3	1,5	220/380	288	175
3	2,2	220/380	320	193
3	3,0	220/380	315	193
3	4,0	220/380	330	317
1	0,37	220/380	220	140
1	0,55	220/380	240	155
1	0,75	220/380	247	155
1	1,1	220/380	265	175
1	1,5	220/380	288	175
1	2,2	220/380	320	193



Select Motor - DC Motor

Power (kW)	Voltage (V)	LM	ØDM
0,5	12		
0,5	24		
0,8	12	133,5	80
0,8	24	133,5	80
1,6	12	165	115
1,6	24	165	115
2,0	12	165	115
2,0	24, with fan		115
2,2	12, with fan		
2,2	24		
3,0	12	192	115
3,0	24	192	115
4,5	24, with fan		



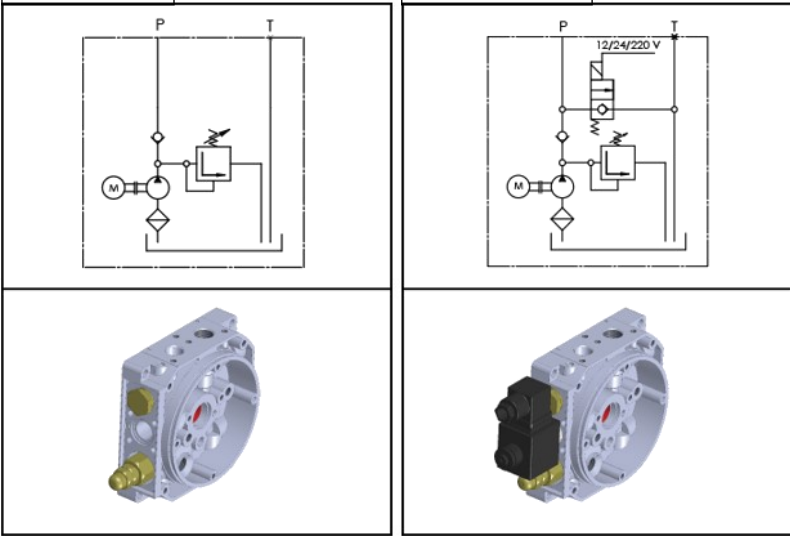
*Text marked with green are standard stock items at TAON

II Select circuit



PT CIRCUIT

LIFT CIRCUIT



IV Select Pump

q (cc/rev)	Q (L/min 1450 rpm)	Pmax (bar)
1,1	1,59	250
1,3	1,88	250
1,8	2,61	250
2,1	3,04	250
2,7	3,91	250
3,2	4,64	250
3,65	5,29	250
4,2	6,09	250
4,8	6,96	250
5,8	8,41	200
8,0	11,6	200
9,0	13,05	130



V Select Pressure (bar)

30	40	50	60	70	80	90	100	120	130	140	150
160	170	180	190	200	210	220	230	240	250		

Pressure Adjustable Table



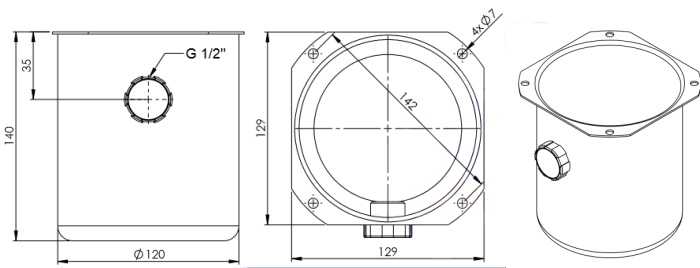
VI

Select Tank

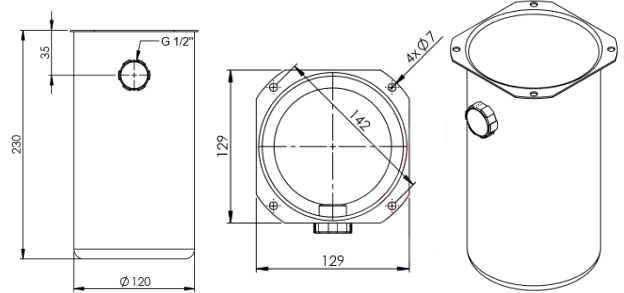


Dimensions on Cylinder Horizontal Tanks - Steel

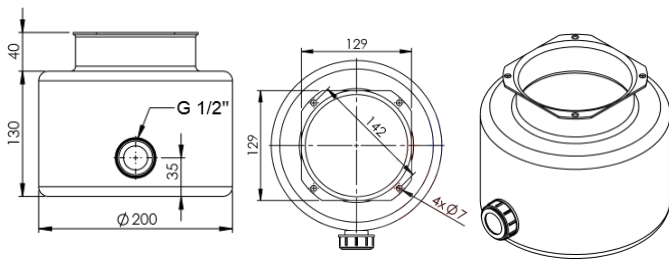
Cylinder 1 ltr. Horizontal



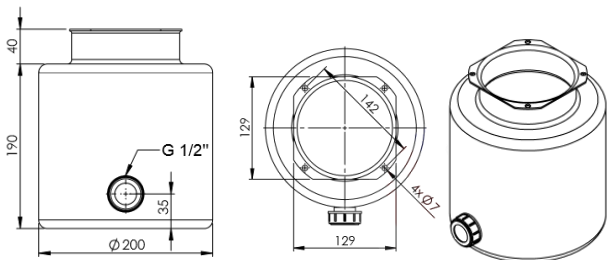
Cylinder 2 ltr. Horizontal



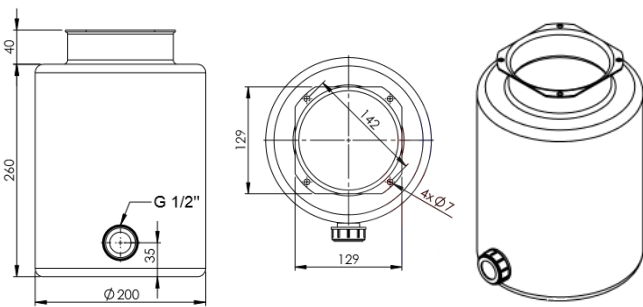
Cylinder 4 ltr. Horizontal



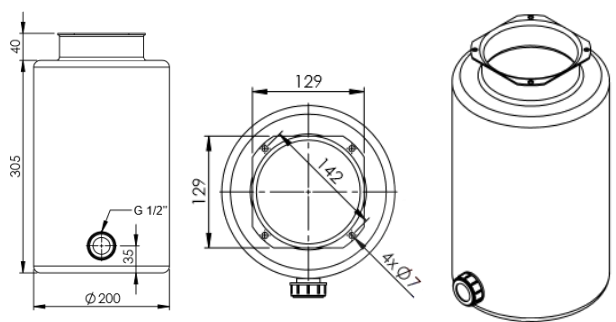
Cylinder 6 ltr. Horizontal



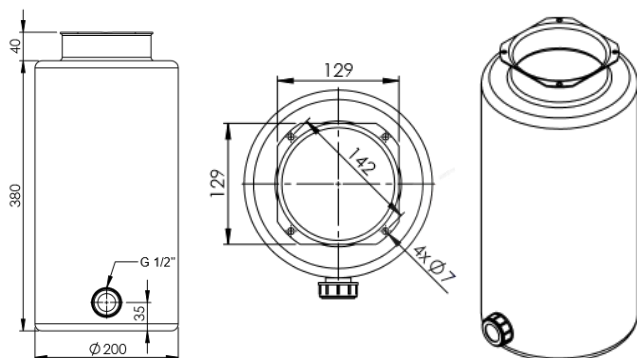
Cylinder 8 ltr. Horizontal



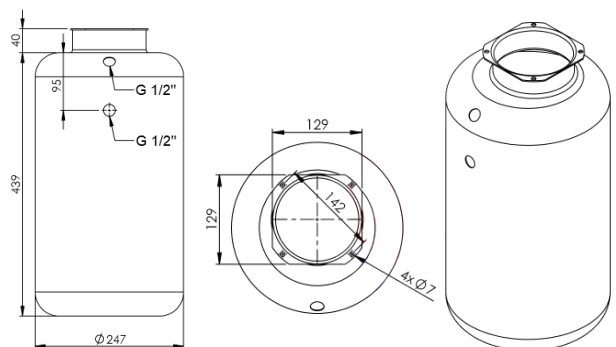
Cylinder 10 ltr. Horizontal



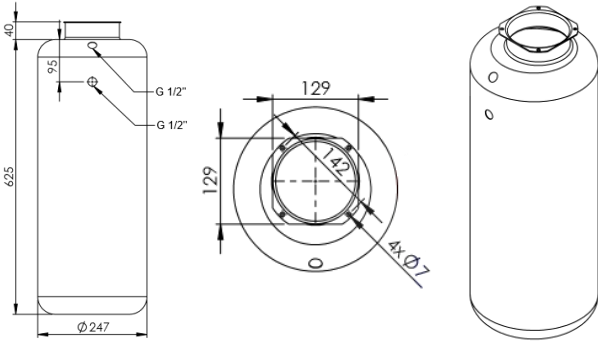
Cylinder 12 ltr. Horizontal



Cylinder 20 ltr. Horizontal

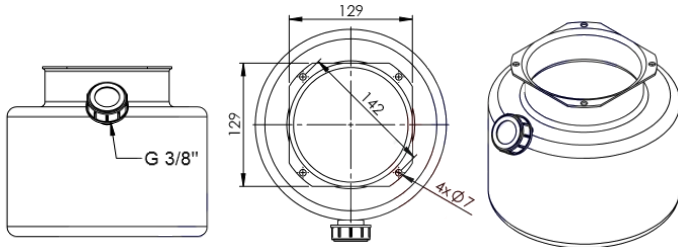


Cylinder 30 ltr. Horizontal

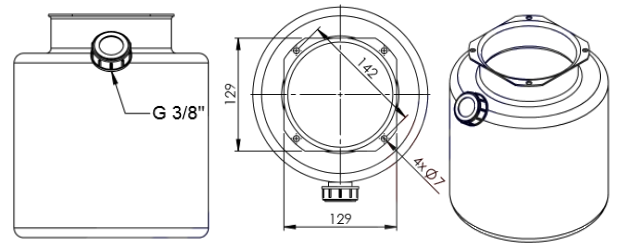


Dimensions on Cylinder Vertical Tanks - Steel

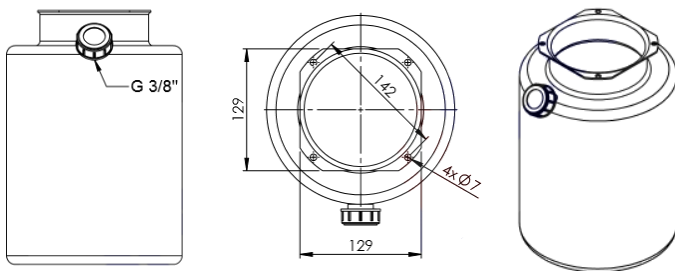
Cylinder 4 ltr. Vertical



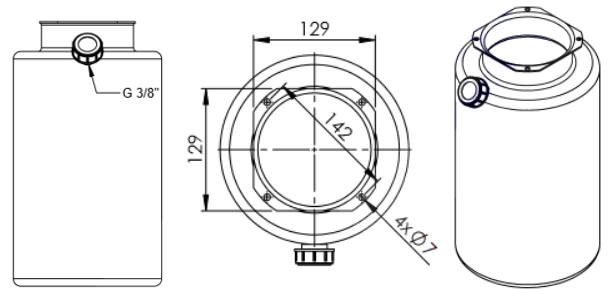
Cylinder 6 ltr. Vertical



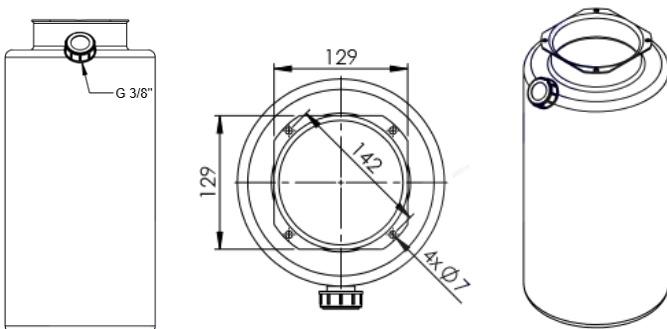
Cylinder 8 ltr. Vertical



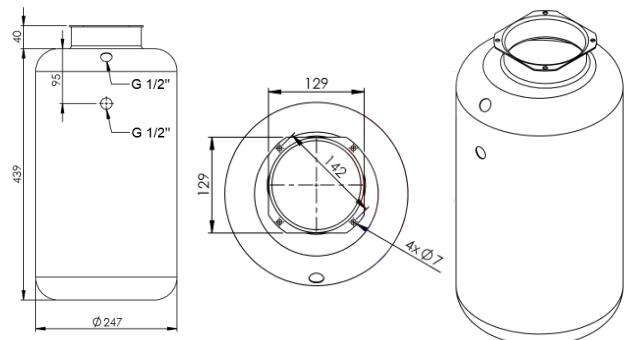
Cylinder 10 ltr. Vertical



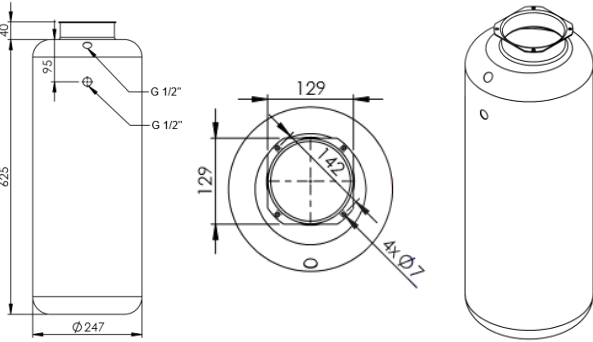
Cylinder 12 ltr. Vertical



Cylinder 20 ltr. Vertical

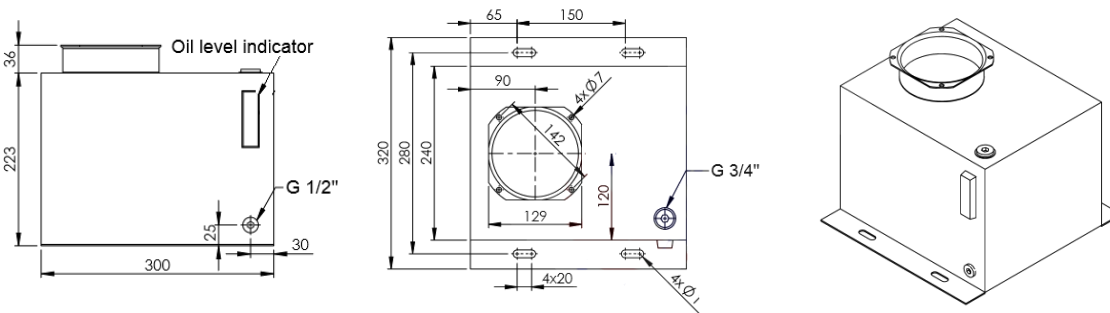


Cylinder 30 ltr. Vertical

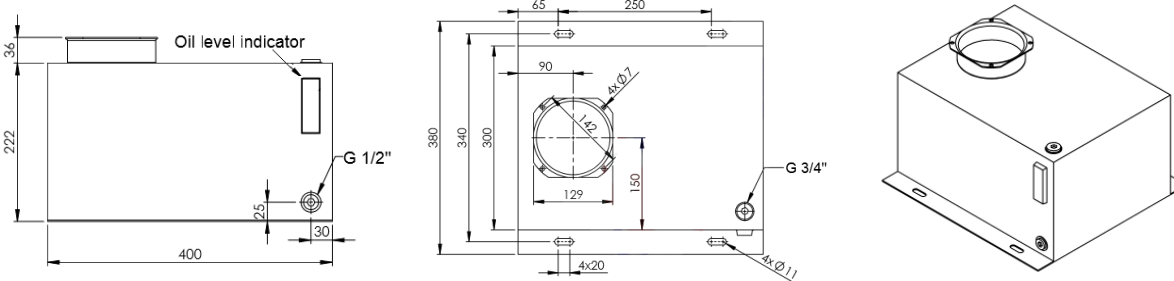


Dimensions on Square Vertical Tanks - Steel

Square 15 ltr. Vertical



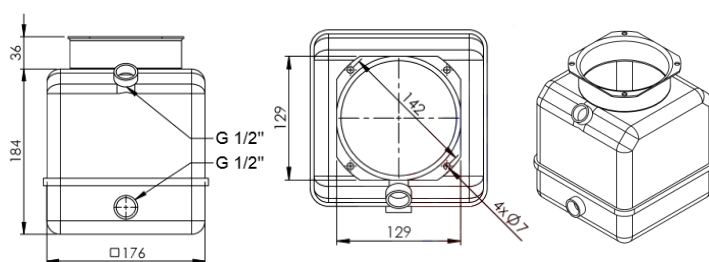
Square 25 ltr. Vertical



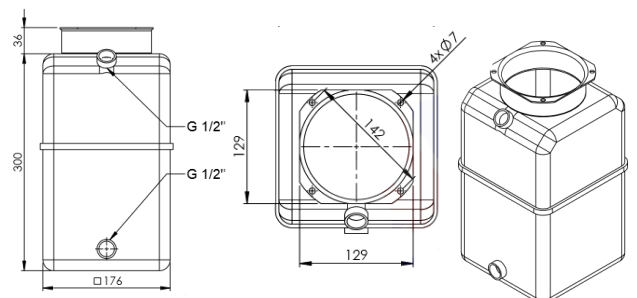
Dimensions on Square Vertical/Horizontal Tanks - Plastic



Square 4 ltr. Horizontal/Vertical



Square 8 ltr. Horizontal/Vertical

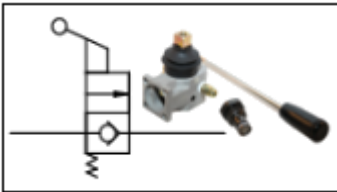


VII

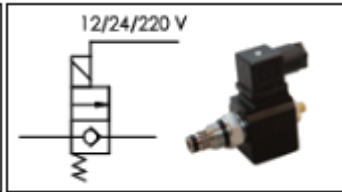
Optional Parts

I. Flow Control - Type of Return Valve

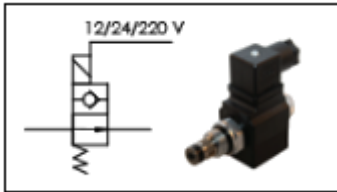
M (Manual Poppet Valve)



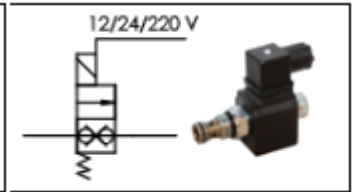
C (Closed Center Poppet Valve)



O (Open Center Poppet Valve)



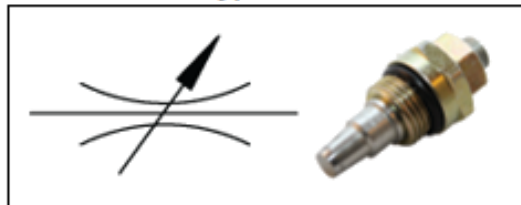
D (Double Lock Poppet Valve)



II. Flow Control - Type of Flow Control Valve

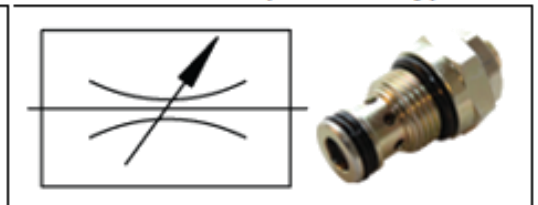
H (No Flow Control Valve)

T (Standard Type)



- User can adjust speed.
- Speed varies according to the load.

P (Pressure Compensated Type)



- User can adjust speed.
- Variations in inlet pressure dont affect rate of flow.

Sub Circuit of Solenoid Valve

(Please specify if you need any Sub Circuit of Solenoid Valves)

A03	A05	A10
HAND PUMP	BDOOR-SS	BDOOR-SD

Select solenoid valve

RH06011	RH06041	RH06021	RH06001	RH06101



Control can be made according to customer specifications