

Hydraulic Variable Piston Pump - Motor Unit - VP Series

TAON
Hydraulik Komponenter



Description:

The VP-Series is a variable piston pump, connected to an electric motor with bell-housing and flexible clutch. This is an easy integrable power solution to your hydraulic system. The variable piston pump is setup with maximum flow and pressure according to customer wishes. Also the pumps are fitted with valves for LS regulation or max torque.

Technical data:

Pressure range: 0-280 bar

Motor

Electric motor range: 5,5-30 kW

Pump volume sizes:

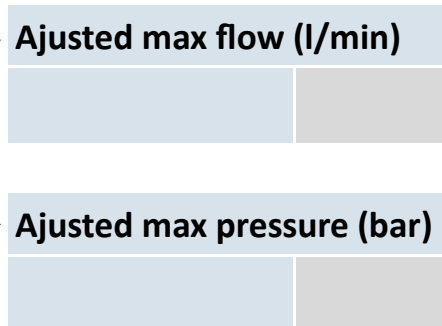
18cm³, 28cm³, 45cm³, 71cm³,
100cm³, 140cm³

DFLR - DFR1



Type code for standard program

Product no.: VPXX—XXX—XXXX—XXX—XXX

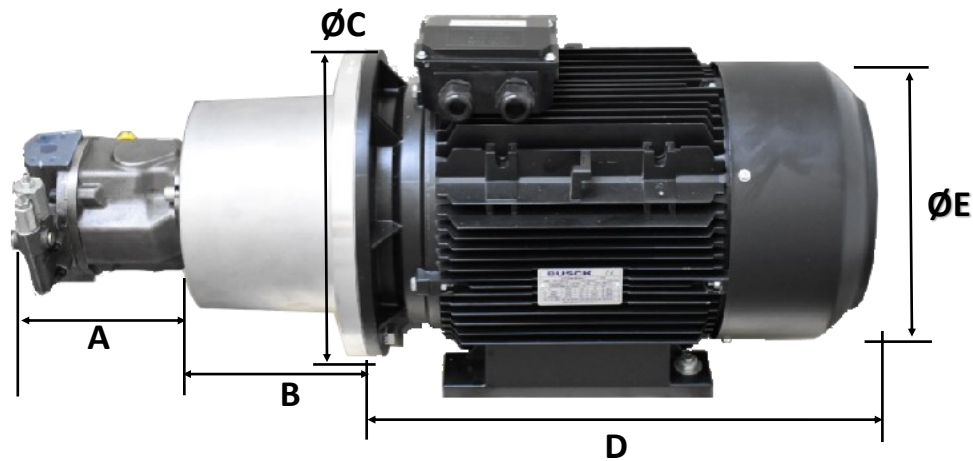


Electric motor	
05	5,5 KW
08	7,5 KW
11	11 KW
15	15 KW
18	18,5 KW
22	22 KW
30	30 KW

Pump		
018	A10VSO18—-/31R	18 cc
028	A10VSO28—-/31R	28 cc
045	A10VSO45—-/31R	45 cc
071	A10VSO71—-/31R	71 cc
100	A10VSO100—-/31R	100 cc
140	A10VSO140—-/31R	140 cc

Control type	
DFR1	LS Control
DFLR	Torque regulated

Possible combinations					
Pump	28	45	71	100	140
Motor					
5,5	X				
7,5	X				
11	(X)	X	X	X	
15	(X)	X	X	X	(X)
18	(X)	X	X	X	(X)
22		(X)	X	X	(X)
30		(X)	X	X	X



	B (mm)	ØC (mm)	D (mm)	ØE (mm)	Weight (kg)
Motor - 5,5 KW	150	300	357	265	53
Motor - 7,5 KW	150	300	395	265	63
Motor - 11 KW	180	350	530	300	93
Motor - 15 KW	180	350	530	300	118
Motor - 18,5 KW	180	350	580	300	185
Motor - 22 KW	194	350	618	300	199
Motor - 30 KW	247	400	670	350	250

Pumps Cm ³ A10VSO	A (mm)	Weight (kg)
018	195	12
28	206	15
45	224	21
71	257	33
100	329	45
140	337	60

Dimension inlet and outlet

