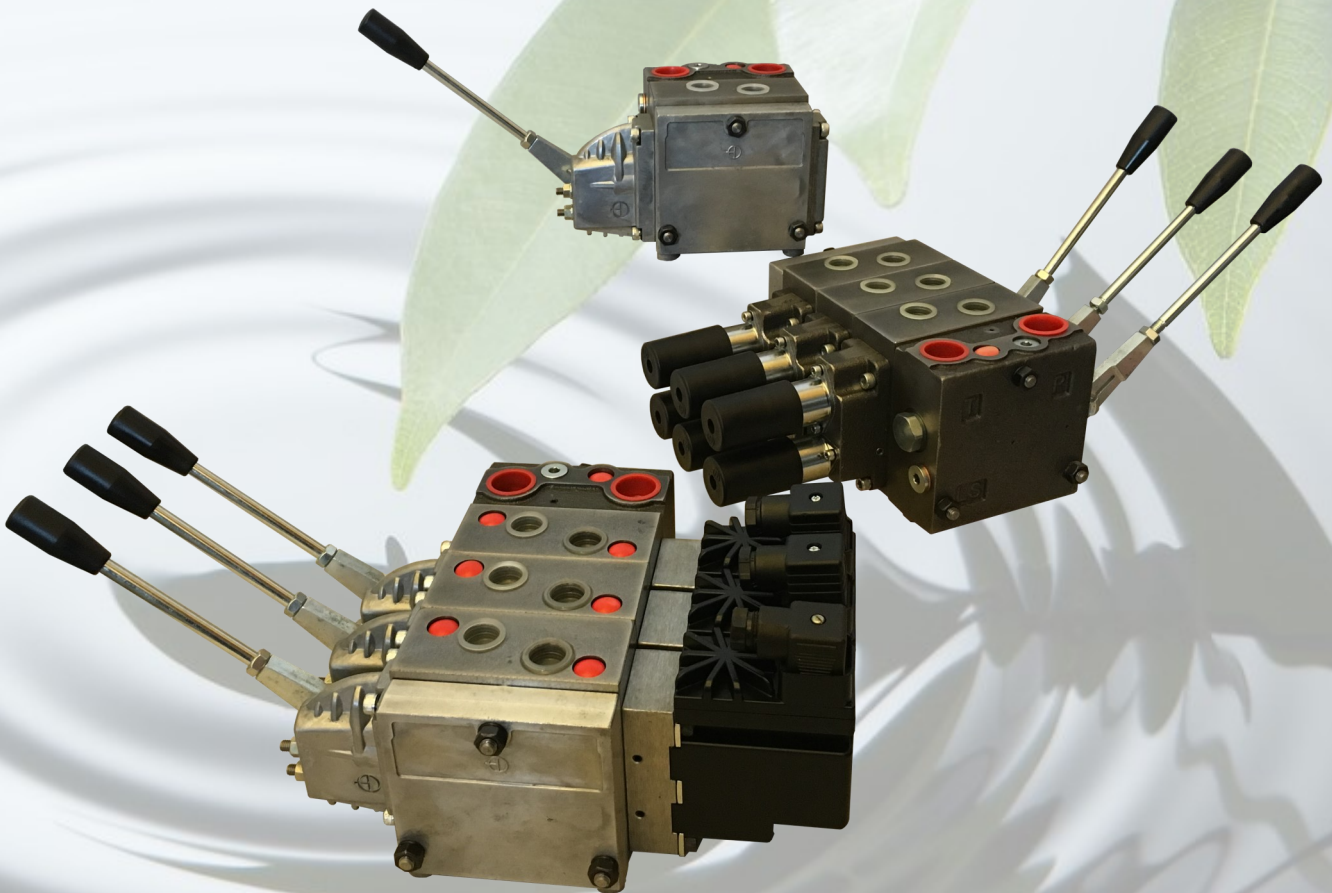


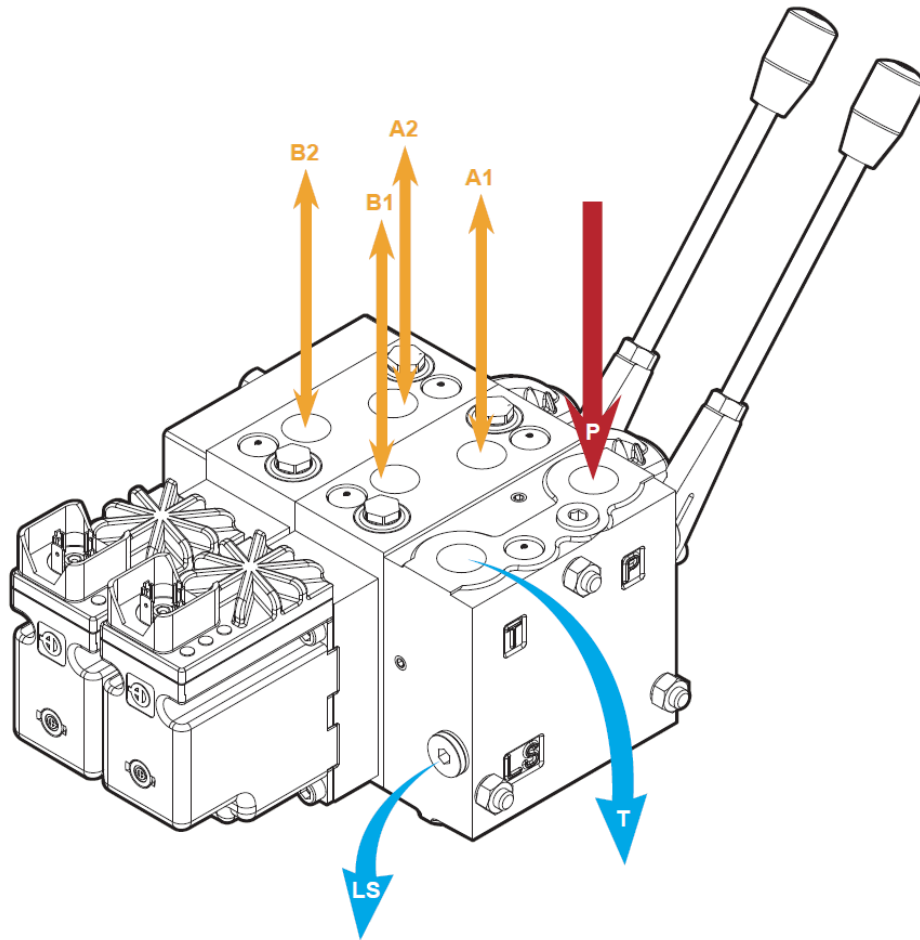
CATALOGUE

PROPORTIONAL VALVES



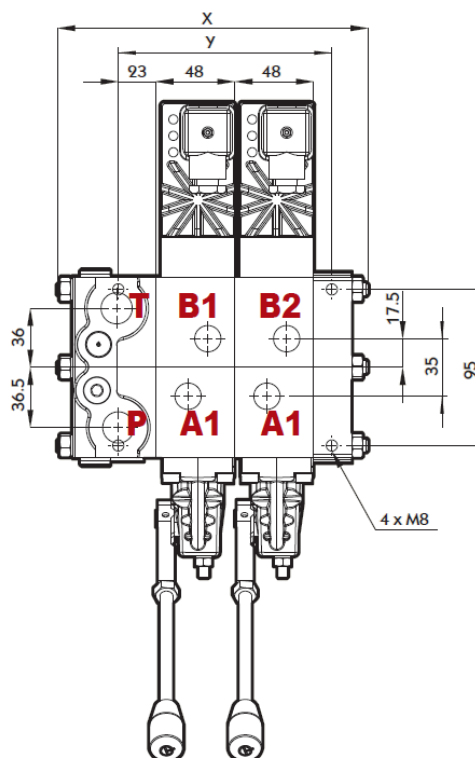
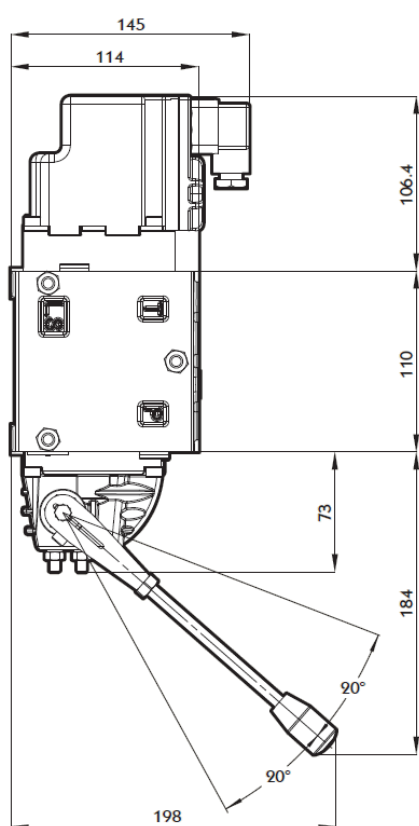
PV-140

Proportional valve
 1-10 sections, 140 L/min.
 PV-140



Proportional valve data		
Max. pressure	P	350 bar
	A/B	350 bar
	T	40 bar
Oil flow rated	P	140 L/min.
Oil temperature (inlet temperature)		From -20°C to 90°C
Oil viscosity	Operating range	From 15 to 75 mm ² /s
	Min.	12 mm ² /s
	Max.	4 mm ² /s
Ambient temperature		From -30°C to 60°C
Connections	P/T	G 3/4
	A/B	G 1/2
Sections		1-10

Proportional valve
 1-10 sections, 140 L/min.
 PV-140



Model	Dimensions (mm)	
	X	Y
PV-140/1	140	82
PV-140/2	189	130
PV-140/3	238	178
PV-140/4	287	226
PV-140/5	336	274
PV-140/6	385	322
PV-140/7	434	370
PV-140/8	483	418
PV-140/9	527	466
PV-140/10	576	514

Proportional valve
 1-10 sections, 140 L/min.
 PV-140



Pump-side module options:

PV140P0102			
Open centre pump-side module for pumps with fixed displacement.	PV140P0102-G6	P port: G 3/4	

PV140P0202			
Closed centre pump-side module for pumps with variable displacement.	PV140P0202-G6	P port: G 3/4	

Basic module options:

PV140V04			
With non-damped pressure-compensated valve.	PV140V04-G4	AB port: G 1/2	
	PV140V04-E10	AB port: 7/8-14UNF	

PV140V06			
Adjustable LS A/B pressure-relief valve.	PV140V06-G4	AB port: G 1/2	
With non-damped pressure-compensated valve.	PV140V06-E10	AB port: 7/8-14UNF	

Proportional valve
 1-10 sections, 140 L/min.
 PV-140



Flow-control spools:

Double spool		
$P \rightarrow B$ $A \rightarrow T$	$P \& T \& A \& B \text{ closed}$	$P \rightarrow A$ $B \rightarrow T$

Flow (L/min.)	5	10	25	40	65	100	130
----------------------	---	----	----	----	----	-----	-----

Motor spool		
$P \rightarrow B$ $A \rightarrow T$	$A \& B \rightarrow T$ $P \text{ closed}$	$P \rightarrow A$ $B \rightarrow T$

Flow (L/min.)	5	10	25	40	65	100	130
----------------------	---	----	----	----	----	-----	-----

Single spool		
$P \rightarrow B$	$P \& T \& A \& B \text{ closed}$	$B \rightarrow T$

Flow (L/min.)	10	25	40	65	100
----------------------	----	----	----	----	-----

Proportional valve
 1-10 sections, 140 L/min.
 PV-140



Lever:

Type LM		
		<p>Standard lever, spring centered; Individual oil-flow adjustment to ports A and B.</p>

Electric-control options:

Type EPVO	
	<p>Function: The main spool is controlled by ON/OFF activated actuator. Reaction time from neutral position to max. spool travel.</p> <p>Characteristics: Supply voltage range: 11V~30V, LED light sign can be chosen.</p>

Code	Description	Enclosure to IGC 529	
EPVO-H0101	ON/OFF activated actuator connectors, with LED lights.	Hirschmann connectors	IP 65

Hirschmann connectors	Circuit symbol	Function																
<table border="1" data-bbox="175 1758 750 1960"> <thead> <tr> <th>ON/OFF</th> <th>A (Pin 1)</th> <th>B (Pin 2)</th> <th>LED light sign</th> </tr> </thead> <tbody> <tr> <td>Neutral position 0</td> <td>0</td> <td>0</td> <td>0</td> </tr> <tr> <td>P → A</td> <td>UDC</td> <td>0</td> <td>BLUE</td> </tr> <tr> <td>P → B</td> <td>0</td> <td>UDC</td> <td>YELLOW</td> </tr> </tbody> </table>	ON/OFF	A (Pin 1)	B (Pin 2)	LED light sign	Neutral position 0	0	0	0	P → A	UDC	0	BLUE	P → B	0	UDC	YELLOW		
ON/OFF	A (Pin 1)	B (Pin 2)	LED light sign															
Neutral position 0	0	0	0															
P → A	UDC	0	BLUE															
P → B	0	UDC	YELLOW															

Proportional valve
 1-10 sections, 140 L/min.
 PV-140



Type EPVM:

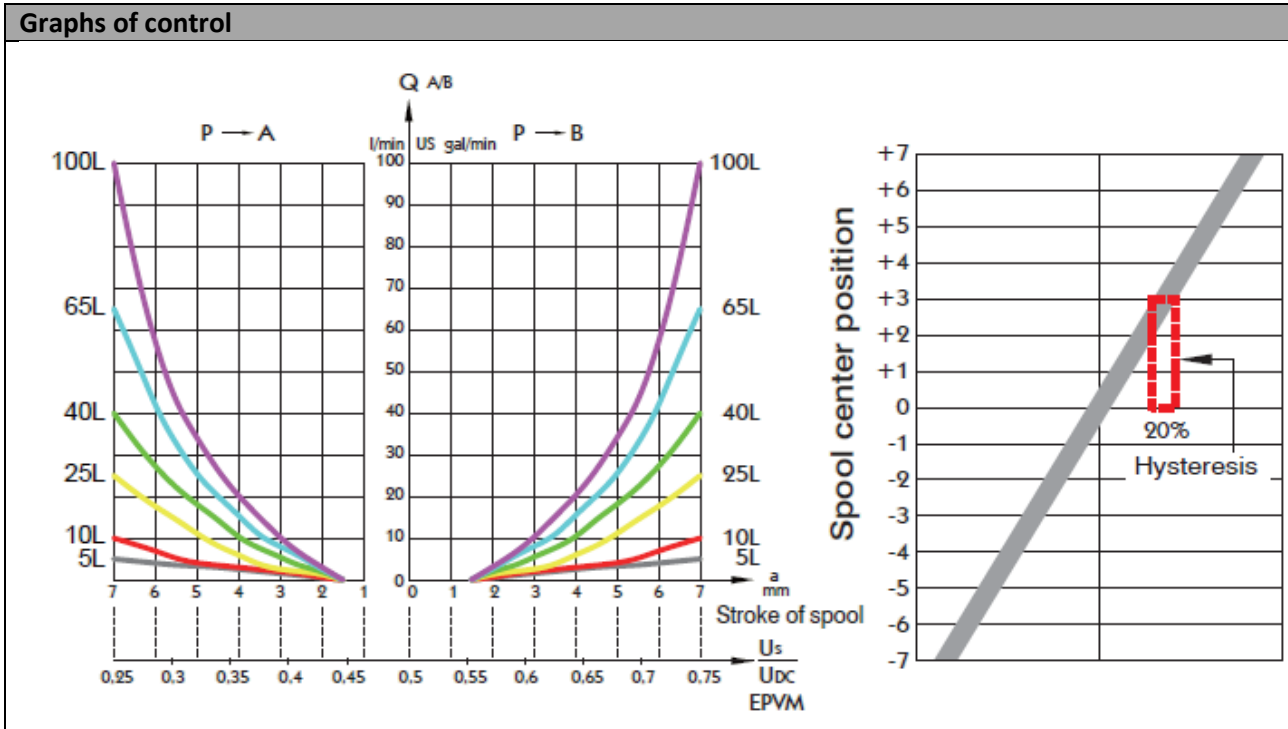
Code	Specifications
EPVM-H0110	Proportional Solenoid Valve, Hirschmann connectors, 12VDC, without LED
EPVM-H0111	Proportional Solenoid Valve, Hirschmann connectors, 12VDC, with LED
EPVM-H0120	Proportional Solenoid Valve, Hirschmann connectors, 24VDC, without LED
EPVM-H0121	Proportional Solenoid Valve, Hirschmann connectors, 24VDC, with LED

Supply voltage	Rate	12V DC	24V DC
	Range	11V~15V	22V~30V
	Max. ripple	5%	
Current consumption	Typical	760mA	670mA
Signal voltage(Us)	Neutral	0.5*Udc	
	A port ↔ B port	0.25~0.75*Udc	
LED	A port	Blue	
	Neutral (power)	Green	
	B port	Yellow	

Ambient temperature	-30°C~+60°C
Oil temperature	-30°C~+90°C
Pilot pressure	10~15 bar
Grade of enclosure	Hirschmann: IP65

Appearance size	Circuit symbol	Function

Proportional valve
 1-10 sections, 140 L/min.
 PV-140



Proportional valve
 1-10 sections, 140 L/min.
 PV-140

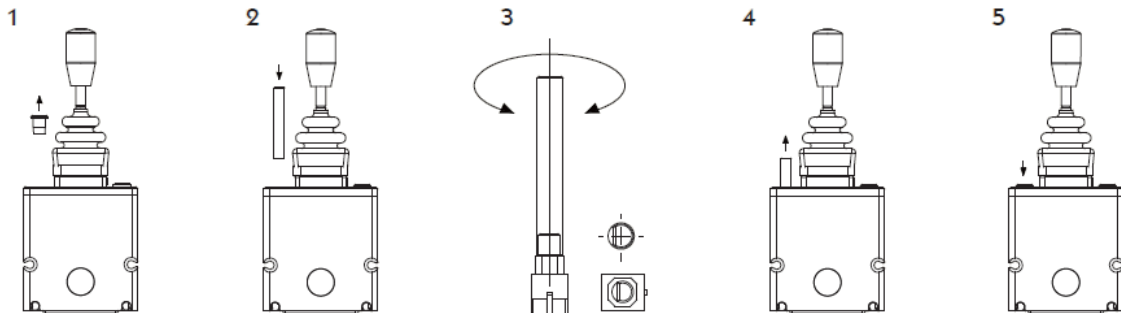
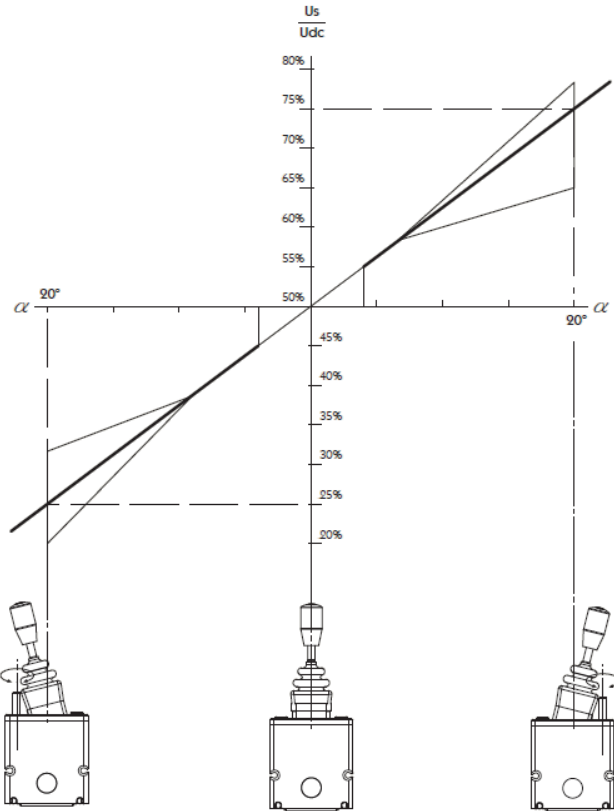
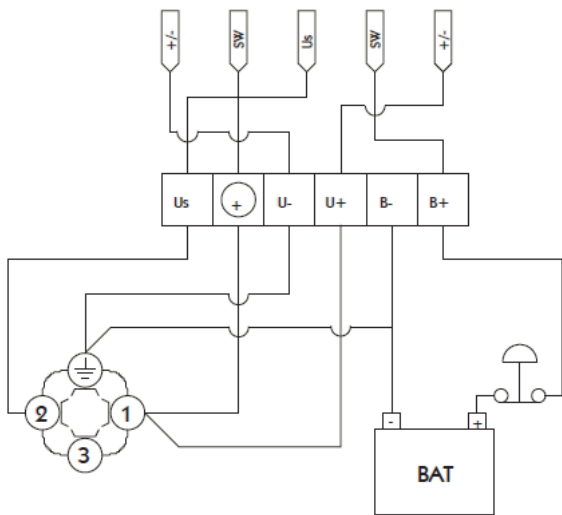
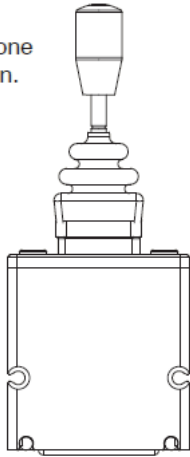


PVH Proportional lever

PVH-1

TYPE PVH

1. Single lever for one section operation.



Note: Please make sure by traverse operating when adjusting.